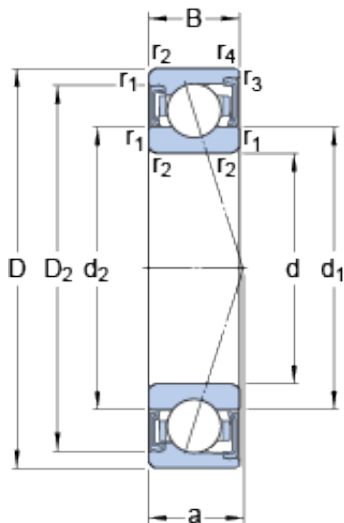




NTN Bearing Driveshaft do Brasil



30 mm x 62 mm x 16 mm SKF S7206
ACD/HCP4A angular contact ball bearings

Bearing No. S7206 ACD/HCP4A

S7206 ACD/HCP4A Bearing 2D drawings and 3D CAD models

Size	62x30x16 mm
Bore Diameter	62 mm
Outer Diameter	30 mm
Width	16 mm
d	30 mm
D	62 mm
B	16 mm
d ₁	40.2 mm
d ₂	40.2 mm
D ₂	54 mm
r _{1,2} - min.	1 mm
r _{3,4} - min.	0.3 mm
a	18.8 mm
d _a - min.	35.6 mm
d _a - max.	39.6 mm
d _b - min.	35.6 mm
d _b - max.	39.6 mm
D _a - max.	56.4 mm
D _b - max.	59.6 mm
r _a - max.	1 mm
r _b - max.	0.3 mm
Basic dynamic load rating - C	23.4 kN
Basic static load rating - C ₀	15.3 kN
Fatigue load limit - P _u	0.64 kN



NTN Bearing Driveshaft do Brasil

Limiting speed for grease lubrication	26000 r/min
Ball - D_w	9.525 mm
Ball - z	13
Calculation factor - e	0.68
Calculation factor - Y_2	0.87
Calculation factor - Y_0	0.38
Calculation factor - X_2	0.41
Calculation factor - Y_1	0.92
Calculation factor - Y_2	1.41
Calculation factor - Y_0	0.76
Calculation factor - X_2	0.67
Preload class A - G_A	150 N
Preload class B - G_B	300 N
Preload class C - G_C	600 N
Preload class D - G_D	1200 N
Calculation factor - f	1.05
Calculation factor - f_1	0.99
Calculation factor - f_{2A}	1
Calculation factor - f_{2B}	1.01
Calculation factor - f_{2C}	1.03
Calculation factor - f_{2D}	1.06
Calculation factor - f_{HC}	1.01
Preload class A	116 N/micron
Preload class B	152 N/micron
Preload class C	201 N/micron
Preload class D	271 N/micron
d_1	40.2 mm
d_2	40.2 mm
D_2	54 mm



NTN Bearing Driveshaft do Brasil

$r_{1,2}$ min.	1 mm
$r_{3,4}$ min.	0.3 mm
d_a min.	35.6 mm
d_a max.	39.6 mm
d_b min.	35.6 mm
d_b max.	39.6 mm
D_a max.	56.4 mm
D_b max.	59.6 mm
r_a max.	1 mm
r_b max.	0.3 mm
Basic dynamic load rating C	23.4 kN
Basic static load rating C_0	15.3 kN
Fatigue load limit P_u	0.64 kN
Attainable speed for grease lubrication	26000 r/min
Ball diameter D_w	9.525 mm
Number of balls z	13
Preload class A G_A	150 N
Static axial stiffness, preload class A	116 N/ μ m
Preload class B G_B	300 N
Static axial stiffness, preload class B	152 N/ μ m
Preload class C G_C	600 N
Static axial stiffness, preload class C	201 N/ μ m
Preload class D G_D	1200 N
Static axial stiffness, preload class D	271 N/ μ m
Calculation factor f	1.05
Calculation factor f_1	0.99
Calculation factor f_{2A}	1
Calculation factor f_{2B}	1.01
Calculation factor f_{2C}	1.03



NTN Bearing Driveshaft do Brasil

Calculation factor f_{2D}	1.06
Calculation factor f_{HC}	1.01
Calculation factor e	0.68
Calculation factor (single, tandem) Y_2	0.87
Calculation factor (single, tandem) Y_0	0.38
Calculation factor (single, tandem) X_2	0.41
Calculation factor (back-to-back, face-to-face) Y_1	0.92
Calculation factor (back-to-back, face-to-face) Y_2	1.41
Calculation factor (back-to-back, face-to-face) Y_0	0.76
Calculation factor (back-to-back, face-to-face) X_2	0.67
Mass bearing	0.17 kg