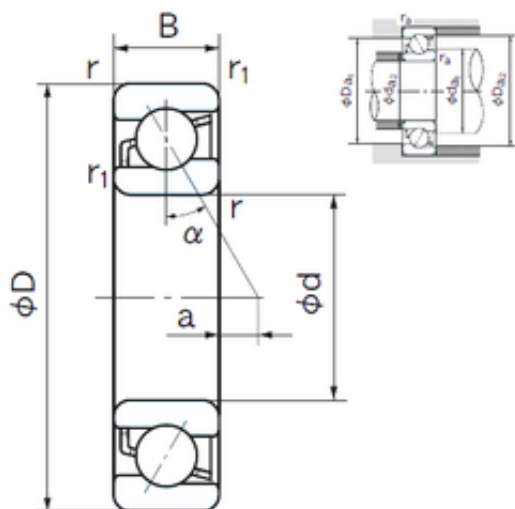




NTN Bearing Driveshaft do Brasil



10 mm x 30 mm x 9 mm NACHI 7200B angular contact ball bearings

Bearing No. 7200B

7200B Bearing 2D drawings and 3D CAD models

Size	10x30x9 mm
Bore Diameter	10 mm
Outer Diameter	30 mm
Width	9 mm
d	10 mm
D	30 mm
B	9 mm
C	9 mm
Angle (°)	40 °
a	3.9 mm
r min.	0.6 mm
r1 min.	0.3 mm
da min.	15 mm
Da max.	25 mm
ra max.	0.6 mm
Weight	0.034 Kg
Basic dynamic load rating (C)	5,15 kN
Basic static load rating (C0)	2,57 kN
(Grease) Lubrication Speed	19000 r/min
Category	Angular Contact Ball Bearings
Inventory	0.0
Manufacturer Name	NACHI
Minimum Buy Quantity	N/A
Weight / Kilogram	0.032



NTN Bearing Driveshaft do Brasil

EAN	4991893835021
Product Group	B00308
Enclosure	Open
Flush Ground	No
Rolling Element	Ball Bearing
Number of Rows of Balls	Single Row
Precision Class	ABEC 1 ISO P0
Maximum Capacity / Filling Slot	No
Snap Ring	No
Cage Material	Steel
Contact Angle	40 Degree
Internal Clearance	C0-Medium
Number of Bearings	1 (Single)
Inch - Metric	Metric
Long Description	10MM Bore; 30MM Outside Diameter; 9MM Width; Open; No Flush Ground; Ball Bearing; Single Row of Balls; ABEC 1 ISO P0; No Filling Slot; No Snap Ring
Category	Angular Contact Ball Bearing
UNSPSC	31171531
Harmonized Tariff Code	8482.10.50.28
Noun	Bearing
Keyword String	Angular Contact
Manufacturer URL	http://www.nachi.com
Manufacturer Item Number	7200 B BNLS
Weight / LBS	0.07
Outside Diameter	1.181 Inch 30 Millimeter
Bore	0.394 Inch 10 Millimeter
Width	0.354 Inch 9 Millimeter
Configuration	Single Row



NTN Bearing Driveshaft do Brasil

Bore Type	Cylindrical Bore
Bore Size	10 mm
Fillet Radius/Chamfer	0.6 mm
r1	0.3 mm
Dynamic Load Rating	5,150 N
Static Load Rating	2,570 N
Limiting Speed - Grease	19,000 rpm
Limiting Speed - Oil	28,000 rpm
da1 (min)	15 mm
da2 (min)	12 mm
Da1 (max)	25 mm
Da2 (max)	27.4 mm
ra (max)	0.6 mm
ra1 (max)	0.3 mm