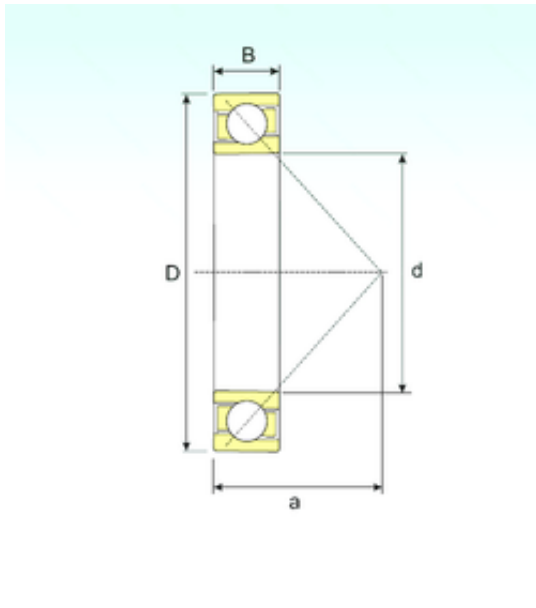




NTN Bearing Driveshaft do Brasil



105 mm x 225 mm x 49 mm ISB 7321 B angular contact ball bearings

Bearing No. 7321 B

Size	105x225x49 mm
Bore Diameter	105 mm
Outer Diameter	225 mm
Width	49 mm
d	105 mm
D	225 mm
B	49 mm
C	49 mm
a	94 mm
Weight	8,8 Kg
Basic dynamic load rating (C)	203 kN
Basic static load rating (C0)	163 kN
(Grease) Lubrication Speed	2700 r/min

7321 B Bearing 2D drawings and 3D CAD models