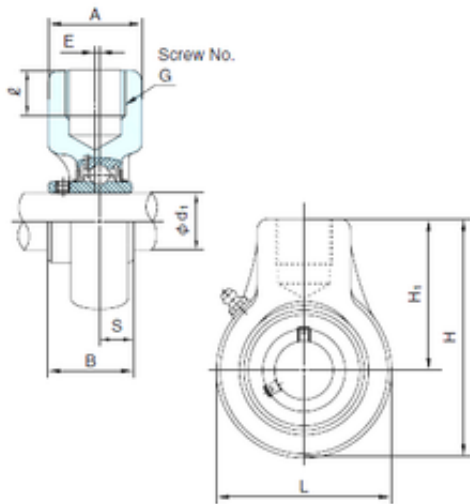




NTN Bearing Driveshaft do Brasil



NACHI UCECH210 bearing units

Bearing No. UCECH210

Bore Diameter	50 mm
Width	51.6 mm
d	50 mm
A	48 mm
B	51.6 mm
E	5 mm
H	140 mm
H1	83 mm
L	114 mm
S	19 mm
	21 Tolerance h14
Thread (G)	PF1

UCECH210 Bearing 2D drawings and 3D CAD models