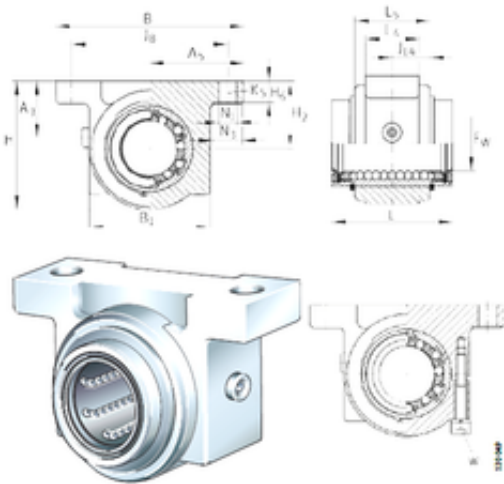




NTN Bearing Driveshaft do Brasil



KGBS16-PP-AS Bearing 2D drawings and 3D CAD models

INA KGBS16-PP-AS bearing units

Bearing No. KGBS16-PP-AS

Bore Diameter	16 mm
Fw	16 mm
B	56 mm
H6	6 mm
A5	28 mm
L4	15 mm
L5	22 mm
N3	10 mm
B1	35 mm
H	37,5 mm
H2	20 mm
N1	5,5 mm
W	2 mm
A3	15 mm
L	36 mm
JB	46 mm
Thread (K5)	M5
JL4	11 mm
Weight	0,14 Kg
Basic dynamic load rating (C)	0,71 kN