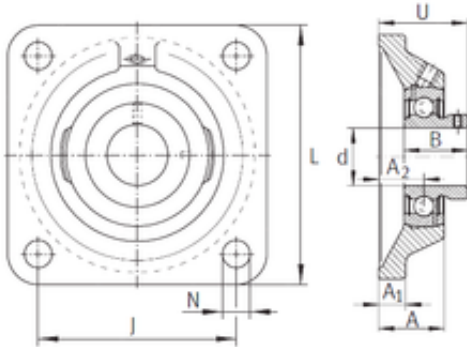




NTN Bearing Driveshaft do Brasil

INA PCJY1-7/16 bearing units



Bearing No. PCJY1-7/16

Bore Diameter	36,513 mm
d	36,513 mm
V	103,988 mm
U	46,507 mm
Thread (Q)	1/8 NPT
A	34,493 mm
A1	13,487 mm
B	35,001 mm
J	91,999 mm
L	118,491 mm
N	13,995 mm
A2	21,006 mm
Category	Flange Block Bearings
Inventory	0.0
Manufacturer Name	SCHAEFFLER GROUP
Minimum Buy Quantity	N/A
Weight / Kilogram	1.6
Product Group	M06110
Number of Mounting Holes	4
Mounting Method	Set Screw
Housing Style	4 Bolt Square Flange Block
Rolling Element	Ball Bearing
Housing Material	Cast Iron
Expansion / Non-expansion	Non-expansion
Mounting Bolts	27/49 Inch
Relubricatable	Yes

PCJY1-7/16 Bearing 2D drawings and 3D CAD models



NTN Bearing Driveshaft do Brasil

Insert Part Number	GAY107NPPB
Seals	Double Lip Contact
Housing Configuration	1 Piece Solid
Pilot Configuration	No Pilot
Inch - Metric	Inch
Long Description	4 Bolt Square Flange Block; 1-7/16" Bore; 5.1" Bolt Circle; 3.622" Bolt Spacing; 1 Piece Solid; Set Screw Mount; Cast Iron; Ball Bearing; 1.378" Length Thru Bore; Relubricatable; D
Other Features	Single Row With Grub Screw
Category	Flange Block
UNSPSC	31171501
Harmonized Tariff Code	8483.20.40.40
Noun	Bearing
Keyword String	Flanged
Manufacturer URL	http://www.ina.com
Manufacturer Item Number	PCJY1-7/16
Weight / LBS	3.528
Cartridge Pilot Depth	0 Inch 0 Millimeter
Nominal Bolt Circle Diameter Round	5.1 Inch 130 Millimeter
Cartridge Pilot Diameter	0 Inch 0 Millimeter
Bore	1.438 Inch 36.525 Millimeter
Length Thru Bore	1.378 Inch 35 Millimeter
Bolt Spacing	3.622 Inch 92 Millimeter