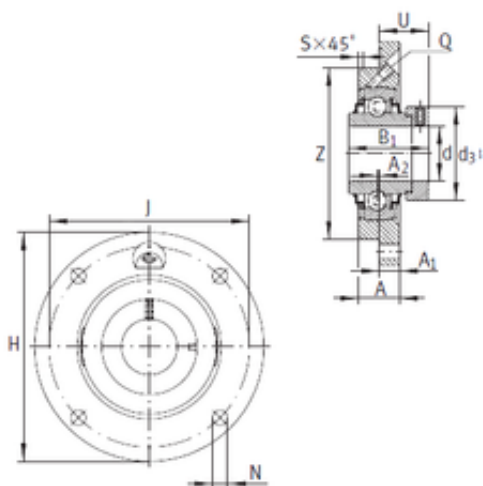




## NTN Bearing Driveshaft do Brasil



RME060 Bearing 2D drawings and 3D CAD models

### INA RME060 bearing units

Bearing No. RME060

Bore Diameter	60 mm
d	60 mm
U	47,9 mm
Thread (Q)	Rp1/8
Z	160 mm
d3	89 mm
A	36 mm
A1	22 mm
B1	68,4 mm
H	256 mm
J	212 mm
N	23 mm
S	3 mm
A2	2,5 mm
Weight	6 Kg
Basic dynamic load rating (C)	82 kN
Category	Flange Block Bearings
Inventory	0.0
Manufacturer Name	SCHAEFFLER GROUP
Minimum Buy Quantity	N/A
Weight / Kilogram	9.588
EAN	4012802067576
Product Group	M06110
Number of Mounting Holes	4
Mounting Method	Eccentric Collar
Housing Style	4 Bolt Round Flange



## NTN Bearing Driveshaft do Brasil

	Cartridge
Rolling Element	Ball Bearing
Housing Material	Cast Iron
Expansion / Non-expansion	Non-expansion
Mounting Bolts	23 Millimeter
Relubricatable	Yes
Insert Part Number	GNE60KRRB
Seals	Double Land Riding Rubber Contact
Housing Configuration	1 Piece Solid
Pilot Configuration	With Pilot
Inch - Metric	Metric
Long Description	4 Bolt Round Flange Cartridge; 60MM Bore; 211MM Bolt Circle; 149.9MM Bolt Spacing; 1 Piece Solid; Eccentric Collar Mount; Cast Iron; Ball Bearing; 68.4MM Length Thru Bore; Relubricatable; Double Land
Other Features	Single Row   Centering Spigot   With Set Screw
Category	Flange Block
UNSPSC	31171501
Harmonized Tariff Code	8483.20.40.40
Noun	Bearing
Keyword String	Flanged
Manufacturer URL	<a href="http://www.ina.com">http://www.ina.com</a>
Manufacturer Item Number	RME060
Weight / LBS	13.23
Nominal Bolt Circle Diameter Round	8.3 Inch   211 Millimeter
Length Thru Bore	2.693 Inch   68.4 Millimeter
Bore	2.362 Inch   60 Millimeter
Cartridge Pilot Diameter	6.299 Inch   160 Millimeter



## NTN Bearing Driveshaft do Brasil

Bolt Spacing	5.9 Inch   149.9 Millimeter
Cartridge Pilot Depth	0.433 Inch   11 Millimeter