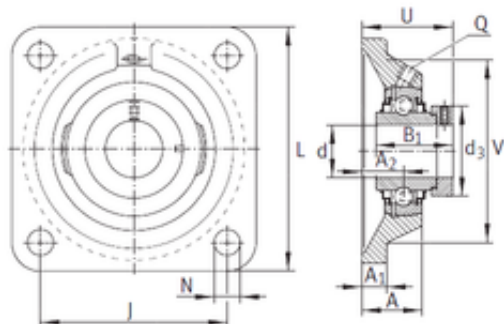




## NTN Bearing Driveshaft do Brasil

### INA RCJ120 bearing units



Bearing No. RCJ120

|                               |                            |
|-------------------------------|----------------------------|
| Bore Diameter                 | 120 mm                     |
| d                             | 120 mm                     |
| V                             | 270 mm                     |
| U                             | 83 mm                      |
| Thread (Q)                    | Rp1/8                      |
| d3                            | 152 mm                     |
| A                             | 51 mm                      |
| A1                            | 28 mm                      |
| B1                            | 81 mm                      |
| J                             | 240 mm                     |
| L                             | 305 mm                     |
| N                             | 30 mm                      |
| A2                            | 31 mm                      |
| Weight                        | 18 Kg                      |
| Basic dynamic load rating (C) | 155 kN                     |
| Category                      | Flange Block Bearings      |
| Inventory                     | 0.0                        |
| Manufacturer Name             | SCHAEFFLER GROUP           |
| Minimum Buy Quantity          | N/A                        |
| Weight / Kilogram             | 18.02                      |
| EAN                           | 4012802066494              |
| Product Group                 | M06110                     |
| Number of Mounting Holes      | 4                          |
| Mounting Method               | Eccentric Collar           |
| Housing Style                 | 4 Bolt Square Flange Block |
| Rolling Element               | Ball Bearing               |

RCJ120 Bearing 2D drawings and 3D CAD models



## NTN Bearing Driveshaft do Brasil

|                                    |  |
|------------------------------------|--|
| Housing Material                   | Cast Iron  |
| Expansion / Non-expansion          | Non-expansion  |
| Mounting Bolts                     | 30 Millimeter  |
| Relubricatable                     | Yes  |
| Insert Part Number                 | GE120KRRB  |
| Seals                              | Double Land Riding Rubber Contact  |
| Housing Configuration              | 1 Piece Solid  |
| Pilot Configuration                | No Pilot   |
| Inch - Metric                      | Metric   |
| Long Description                   | 4 Bolt Square Flange Block; 120MM Bore; 339.4MM Bolt Circle; 240MM Bolt Spacing; 1 Piece Solid; Eccentric Collar Mount; Cast Iron; Ball Bearing; 81MM Length Thru Bore; Relubricatable; Double Land Ridi |
| Other Features                     | Single Row   With Set Screw  |
| Category                           | Flange Block   |
| UNSPSC                             | 31171501   |
| Harmonized Tariff Code             | 8483.20.40.40  |
| Noun                               | Bearing  |
| Keyword String                     | Flanged  |
| Manufacturer URL                   | <a href="http://www.ina.com">http://www.ina.com</a>  |
| Manufacturer Item Number           | RCJ120   |
| Weight / LBS                       | 39.683   |
| Length Thru Bore                   | 3.189 Inch   81 Millimeter   |
| Nominal Bolt Circle Diameter Round | 13.4 Inch   339.4 Millimeter   |
| Cartridge Pilot Diameter           | 0 Inch   0 Millimeter  |
| Bore                               | 4.724 Inch   120 Millimeter  |
| Cartridge Pilot Depth              | 0 Inch   0 Millimeter  |
| Bolt Spacing                       | 9.449 Inch   240 Millimeter  |



# NTN Bearing Driveshaft do Brasil