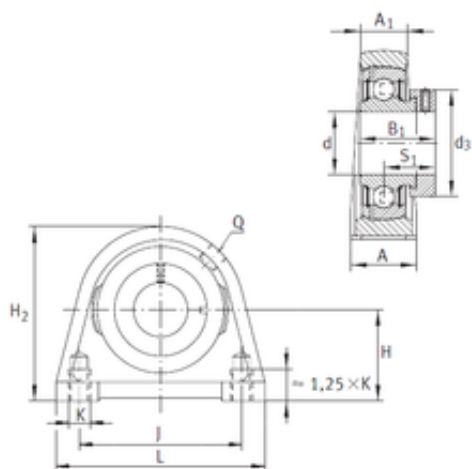




## NTN Bearing Driveshaft do Brasil



### INA PSHE30-N bearing units

Bearing No. PSHE30-N

Bore Diameter	30 mm
d	30 mm
Thread (Q)	Rp1/8
Thread (K)	M10
d3	44 mm
A	40 mm
A1	25 mm
B1	35,8 mm
H	42,9 mm
H2	82 mm
J	76,2 mm
L	98 mm
S	26,8 mm
Weight	0,94 Kg
Basic dynamic load rating (C)	19,5 kN
Category	Pillow Block Bearings
Inventory	0.0
Manufacturer Name	SCHAEFFLER GROUP
Minimum Buy Quantity	N/A
Weight / Kilogram	0
EAN	4012802064995
Product Group	M06110
Number of Mounting Holes	2
Mounting Method	Eccentric Collar
Housing Style	2 Bolt Tap Base Pillow Block
Rolling Element	Ball Bearing

PSHE30-N Bearing 2D drawings and 3D CAD models



## NTN Bearing Driveshaft do Brasil

Housing Material	Cast Iron
Expansion / Non-expansion	Non-expansion
Mounting Bolts	10 Millimeter
Relubricatable	Yes
Insert Part Number	GRAE30NPPB
Seals	Double Lip Contact
Housing Configuration	1 Piece Solid
Inch - Metric	Metric
Other Features	Single Row   With Set Screw
Long Description	2 Bolt Tap Base Pillow Block; 30MM Bore; 42.9MM Base to Center Height; Eccentric Collar Mount; Ball Bearing; Relubricatable; Cast Iron; Double Lip Contact; Non-expansion
Category	Pillow Block
UNSPSC	31171511
Harmonized Tariff Code	8483.20.40.40
Noun	Bearing
Keyword String	Pillow Block
Manufacturer URL	<a href="http://www.ina.com">http://www.ina.com</a>
Manufacturer Item Number	PSHE30N
Weight / LBS	2.315
Bolt Spacing Minimum	0 Inch   0Millimeter
Bolt Spacing Maximum	0 Inch   0Millimeter
Nominal Bolt Center to Center	3 Inch   76 Millimeter
Base to Center Height	1.689 Inch   42.9 Millimeter
Length Thru Bore	1.406 Inch   35.7 Millimeter
Actual Bolt Center to Center	3 Inch   76Millimeter
Bore	1.181 Inch   30 Millimeter