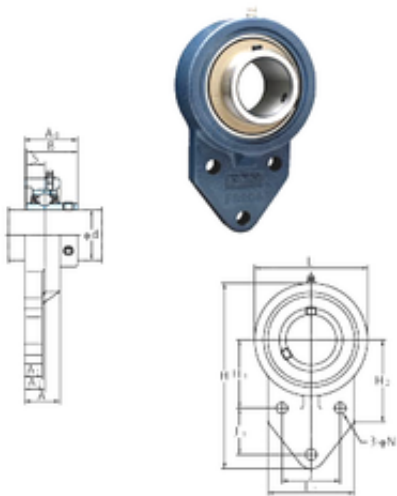




NTN Bearing Driveshaft do Brasil



FYH UCFB210-32 bearing units

Bearing No. UCFB210-32

Bore Diameter	50,8 mm
d	50,8 mm
A0	52,6 mm
A	35 mm
A1	18 mm
B	51,6 mm
H	184 mm
H1	68 mm
H2	82 mm
J	58 mm
L	112 mm
L1	86 mm
N	11 mm
S	19 mm
Bolt (G)	M10
A2	20 mm
J1	46 mm
Weight	2,3 Kg
Basic dynamic load rating (C)	35,1 kN
Basic static load rating (C0)	23,3 kN

UCFB210-32 Bearing 2D drawings and 3D CAD models