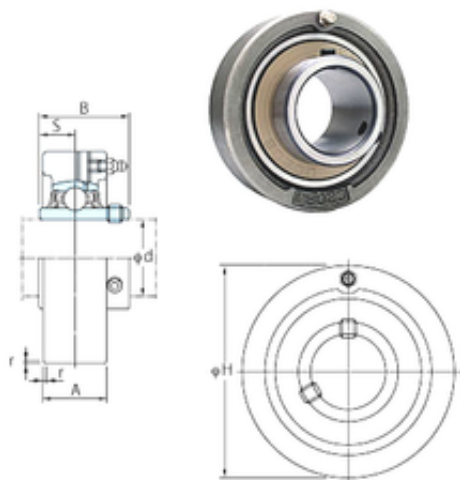




NTN Bearing Driveshaft do Brasil



FYH UCC306 bearing units

Bearing No. UCC306

Bore Diameter	30 mm
Width	43 mm
d	30 mm
r	2 mm
A	28 mm
B	43 mm
H	100 mm
S	17 mm
Weight	1,7 Kg
Basic dynamic load rating (C)	26,7 kN
Basic static load rating (C0)	15 kN

UCC306 Bearing 2D drawings and 3D CAD models