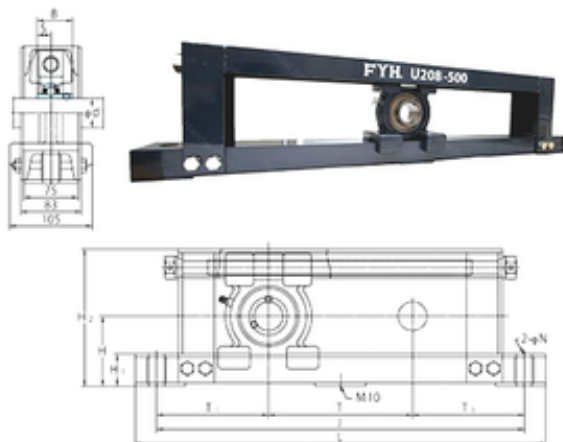




## NTN Bearing Driveshaft do Brasil

### FYH UCTU212-800 bearing units



Bearing No. UCTU212-800

|                               |         |
|-------------------------------|---------|
| Bore Diameter                 | 60 mm   |
| Width                         | 65,1 mm |
| d                             | 60 mm   |
| T1                            | 180 mm  |
| B                             | 65,1 mm |
| H                             | 120 mm  |
| H1                            | 44 mm   |
| H2                            | 240 mm  |
| J                             | 1160 mm |
| L                             | 1220 mm |
| N                             | 22 mm   |
| S                             | 25,4 mm |
| T                             | 800 mm  |
| Bolt (G)                      | M18     |
| Weight                        | 31 Kg   |
| Basic dynamic load rating (C) | 52,4 kN |
| Basic static load rating (C0) | 36,2 kN |

UCTU212-800 Bearing 2D drawings and 3D CAD models