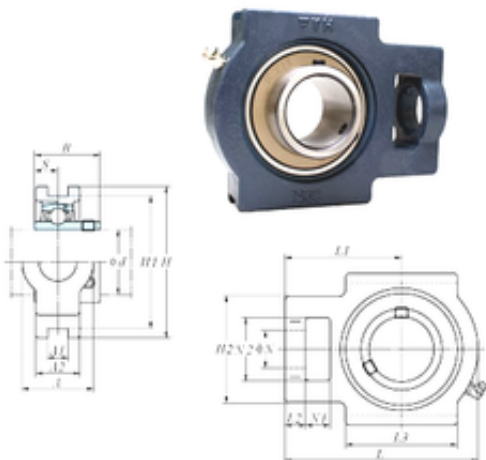




NTN Bearing Driveshaft do Brasil

FYH UCT214E bearing units

Bearing No. UCT214E



UCT214E Bearing 2D drawings and 3D CAD models

| | |
|-------------------------------|----------|
| Bore Diameter | 70 mm |
| d | 70 mm |
| L2 | 21 mm |
| L3 | 121 mm |
| A | 70 mm |
| A1 | 27 mm |
| B | 74,6 mm |
| H | 167 mm |
| H1 | 150,8 mm |
| H2 | 111 mm |
| L | 224 mm |
| L1 | 137 mm |
| N | 41 mm |
| N1 | 32 mm |
| S | 30,2 mm |
| A2 | 46 mm |
| N2 | 70 mm |
| Weight | 7 Kg |
| Basic dynamic load rating (C) | 62,2 kN |
| Basic static load rating (C0) | 44,1 kN |