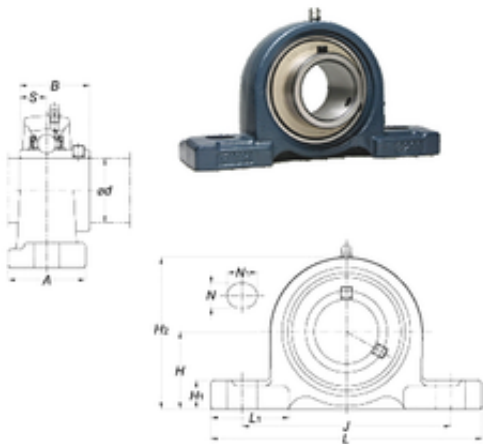




NTN Bearing Driveshaft do Brasil

FYH UCP307 bearing units



Bearing No. UCP307

Bore Diameter	35 mm
Width	48 mm
d	35 mm
A	56 mm
B	48 mm
H	56 mm
H1	19 mm
H2	107 mm
J	160 mm
L	210 mm
L1	65 mm
N	17 mm
N1	25 mm
S	19 mm
Bolt (G)	M14
Weight	3 Kg
Basic dynamic load rating (C)	33,4 kN
Basic static load rating (C0)	19,3 kN
Category	Mounted Units & Inserts
Inventory	0.0
Manufacturer Name	FYH BEARING UNITS
Minimum Buy Quantity	N/A
Weight / Kilogram	2.61
Product Group	M06110

UCP307 Bearing 2D drawings and 3D CAD models