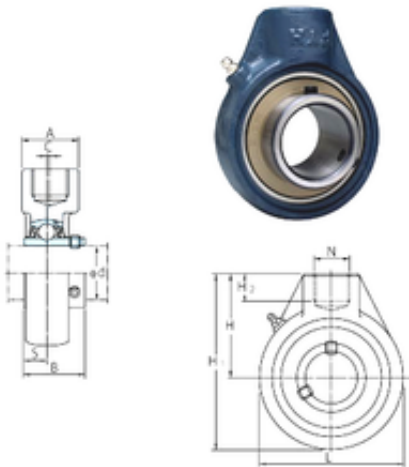




NTN Bearing Driveshaft do Brasil

FYH UCHA214 bearing units

Bearing No. UCHA214



UCHA214 Bearing 2D drawings and 3D CAD models

Bore Diameter	70 mm
Width	74,6 mm
d	70 mm
A	70 mm
B	74,6 mm
C	9,5 mm
H	117 mm
H1	200 mm
H2	32 mm
L	166 mm
S	30,2 mm
Bolt (G)	PF 1 1/2
Weight	5,9 Kg
Basic dynamic load rating (C)	62,2 kN
Basic static load rating (C0)	44,1 kN
Category	Hanger Unit Bearings
Inventory	0.0
Manufacturer Name	FYH BEARING UNITS
Minimum Buy Quantity	N/A
Weight / Kilogram	5.91
Product Group	M06110
Mounting Method	Set Screw
Housing Material	Cast Iron
Mounting Thread	1-1/2 Straight Pipe Female
Rolling Element	Ball Bearing
Insert Material	Steel



NTN Bearing Driveshaft do Brasil

Expansion / Non-expansion	Non-expansion
Housing Style	Hanger Unit
Relubricatable	Yes
Insert Part Number	UC214
Seals	Single Lip Contact
Rating	Normal Duty
Other Features	Single Row Spherical NBR Seal Has Slinger
Long Description	70MM Bore; 117MM Base to Center Height; Set Screw; Hanger Unit; Cast Iron Housing; Ball Bearing; 166MM Housing Outside Diameter; 74.6MM Length Thru Bore; 200MM Housing Overall Length; Steel Insert; UC
Inch - Metric	Metric
Category	Mounted Hanger Units
UNSPSC	31171513
Harmonized Tariff Code	8483.20.40.40
Noun	Bearing
Keyword String	Hanger
Manufacturer URL	http://www.fyhbearings.com
Manufacturer Item Number	UCHA214
Weight / LBS	13.007
Bore	2.756 Inch 70 Millimeter
Base to Center Height	4.606 Inch 117 Millimeter
Housing Outside Diameter	6.535 Inch 166 Millimeter
Housing Overall Length	7.874 Inch 200 Millimeter
Length Thru Bore	2.937 Inch 74.6 Millimeter