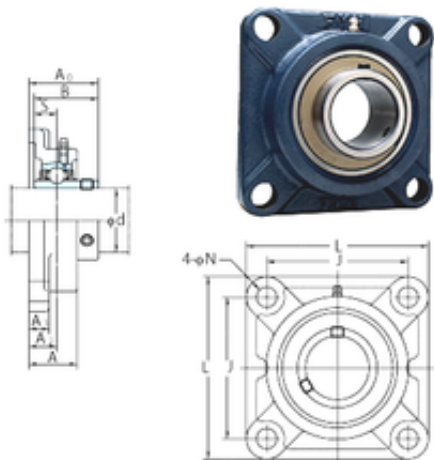




## NTN Bearing Driveshaft do Brasil

### FYH UCF305 bearing units

Bearing No. UCF305



UCF305 Bearing 2D drawings and 3D CAD models

|                               |                         |
|-------------------------------|-------------------------|
| Bore Diameter                 | 25 mm                   |
| d                             | 25 mm                   |
| A0                            | 39 mm                   |
| A                             | 29 mm                   |
| A1                            | 13 mm                   |
| B                             | 38 mm                   |
| J                             | 80 mm                   |
| L                             | 110 mm                  |
| N                             | 16 mm                   |
| S                             | 15 mm                   |
| Bolt (G)                      | M14                     |
| A2                            | 16 mm                   |
| Weight                        | 1,3 Kg                  |
| Basic dynamic load rating (C) | 21,2 kN                 |
| Basic static load rating (C0) | 10,9 kN                 |
| Category                      | Mounted Units & Inserts |
| Inventory                     | 0.0                     |
| Manufacturer Name             | FYH BEARING UNITS       |
| Minimum Buy Quantity          | N/A                     |
| Weight / Kilogram             | 0                       |
| Product Group                 | M06110                  |