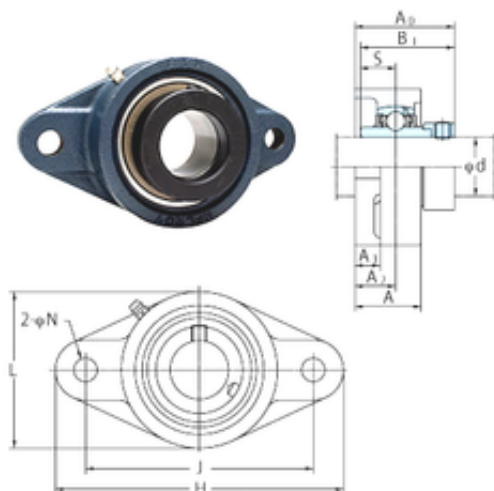




NTN Bearing Driveshaft do Brasil



FYH NANFL207-21 bearing units

Bearing No. NANFL207-21

Bore Diameter	33,3375 mm
d	33,3375 mm
A0	53,8 mm
A	36,5 mm
A1	14 mm
B1	51,1 mm
H	161 mm
J	130,2 mm
L	90 mm
N	13 mm
S	18,8 mm
Bolt (G)	7/16
A2	21,5 mm
Weight	1,6 Kg
Basic dynamic load rating (C)	3 kN
Basic static load rating (C0)	15,4 kN

NANFL207-21 Bearing 2D drawings and 3D CAD models