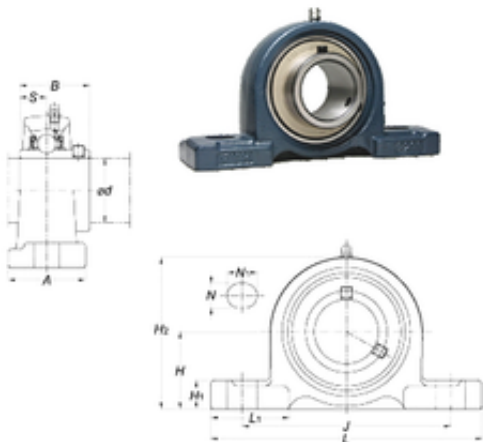




# NTN Bearing Driveshaft do Brasil

## FYH UCPX06 bearing units



Bearing No. UCPX06

|                               |                         |
|-------------------------------|-------------------------|
| Bore Diameter                 | 30 mm                   |
| Width                         | 42,9 mm                 |
| d                             | 30 mm                   |
| A                             | 57 mm                   |
| B                             | 42,9 mm                 |
| H                             | 47,6 mm                 |
| H1                            | 17 mm                   |
| H2                            | 93 mm                   |
| J                             | 127 mm                  |
| L                             | 175 mm                  |
| L1                            | 55 mm                   |
| N                             | 17 mm                   |
| N1                            | 25 mm                   |
| S                             | 17,5 mm                 |
| Bolt (G)                      | M14                     |
| Weight                        | 2,1 Kg                  |
| Basic dynamic load rating (C) | 25,7 kN                 |
| Basic static load rating (C0) | 15,4 kN                 |
| Category                      | Mounted Units & Inserts |
| Inventory                     | 0.0                     |
| Manufacturer Name             | FYH BEARING UNITS       |
| Minimum Buy Quantity          | N/A                     |
| Weight / Kilogram             | 0                       |
| Product Group                 | M06110                  |

UCPX06 Bearing 2D drawings and 3D CAD models