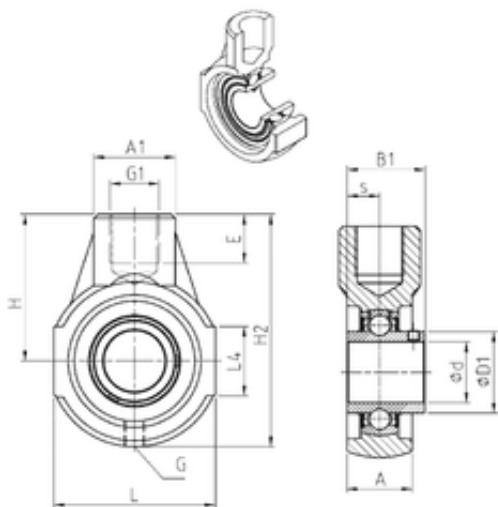




NTN Bearing Driveshaft do Brasil

SNR UCEHE205 bearing units

Bearing No. UCEHE205



UCEHE205 Bearing 2D drawings and 3D CAD models

| | |
|-------------------------------|---------|
| Bore Diameter | 25 mm |
| d | 25 mm |
| L4 | 38 mm |
| s | 14,3 mm |
| A | 28 mm |
| A1 | 35 mm |
| B1 | 34 mm |
| D1 | 34 mm |
| E | 22 mm |
| G1 | M20 mm |
| H | 64 mm |
| H2 | 99 mm |
| L | 70 mm |
| Thread (G) | R1/8" |
| Weight | 1,2 Kg |
| Basic dynamic load rating (C) | 14 kN |
| A2 | 35 mm |
| B | 34 mm |
| A5 | 19.7 mm |
| G | R1/8" |
| L1 | 64 mm |
| L3 | 38 mm |
| s1 | 17 mm |
| S | 14.3 mm |
| SW | 3 mm |
| C | 14 kN |



NTN Bearing Driveshaft do Brasil

| | |
|---|---------|
| C0 | 7.88 kN |
| T min. | -20 ° C |
| T max. | 100 ° C |
| Recommended tightening torque for set screw | 5.5 Nm |
| Designation of housing | EHE205- |
| Designation of bearing | UC205G2 |