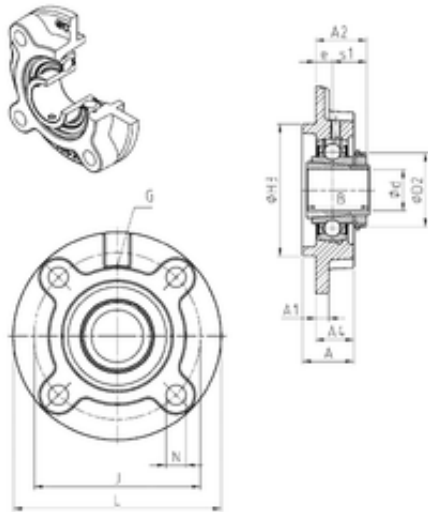




NTN Bearing Driveshaft do Brasil



SNR UKFC216H bearing units

Bearing No. UKFC216H

Bore Diameter	70 mm
d	70 mm
H3	170 mm
A4	42 mm
e	18 mm
s1	39 mm
A	58 mm
A1	18 mm
B	78 mm
D2	105 mm
J	200 mm
L	240 mm
N	23 mm
Thread (G)	M10x1
A2	57 mm
Weight	9,5 Kg
Basic dynamic load rating (C)	72,5 kN

UKFC216H Bearing 2D drawings and 3D CAD models